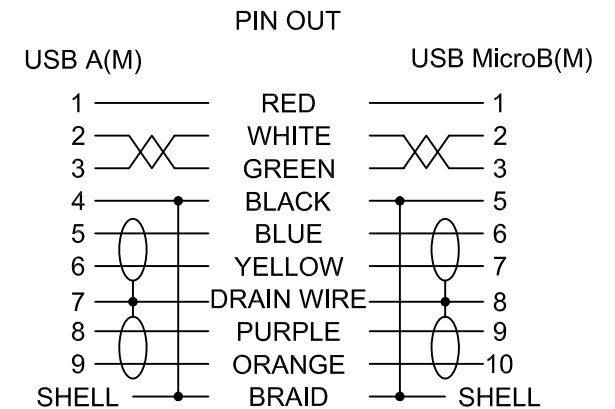
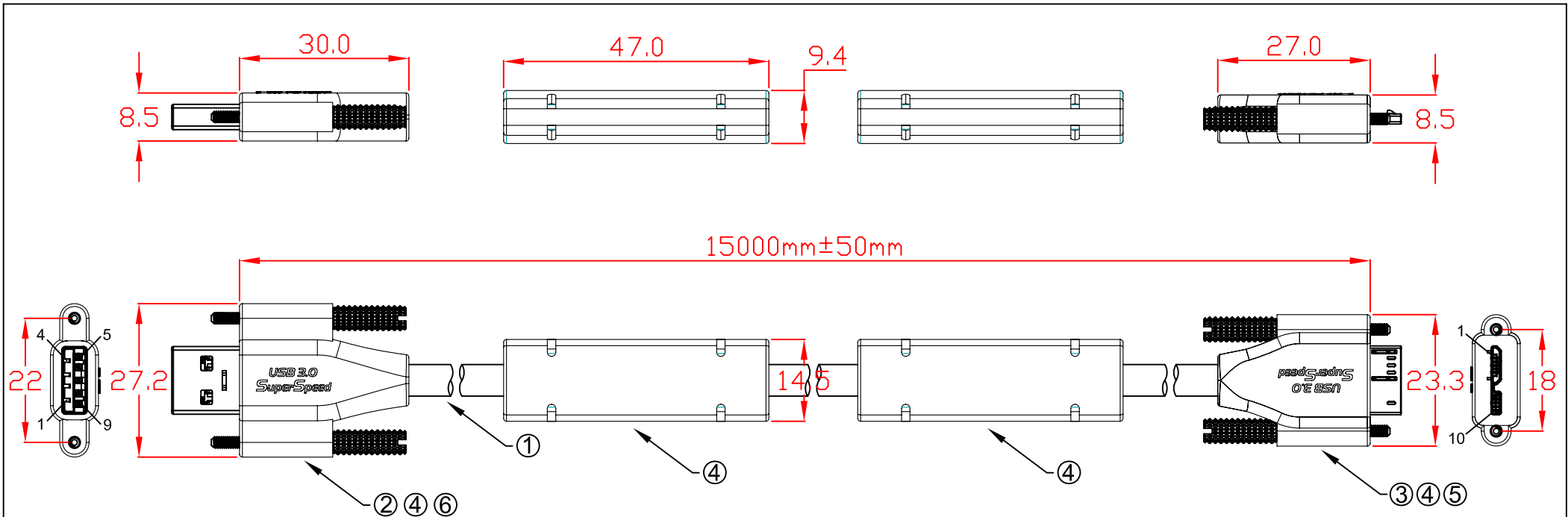


L:
 CBL-D302MBSS-5m 5000mm±30mm
 CBL-D302MBSS-7m 7000mm±30mm
 CBL-D302MBSS-10m 10000mm±30mm

No	MATERIALS LIST:
1.	CABLE:UL2725 (28AWG*1PR+D+AM)x2C+28AWG*1PR+24AWG*1C+AM+B OD:5.6mm PVC JACKET COLOR:BLACK
2.	CONNECTOR:USB 3.0 A/M, 9P, BLUE INSULATOR SOLDER TYPE, NICKEL PLATED SHELL
3.	CONNECTOR:USB 3.0 MicroB/M, 10P, BLACK INSULATOR SOLDER TYPE, NICKEL PLATED SHELL
4.	PVC MOLDED HOUSING, BLACK COLOR
5.	SCREW:#4x33 M2
6.	SCREW:#4x34.5 M2

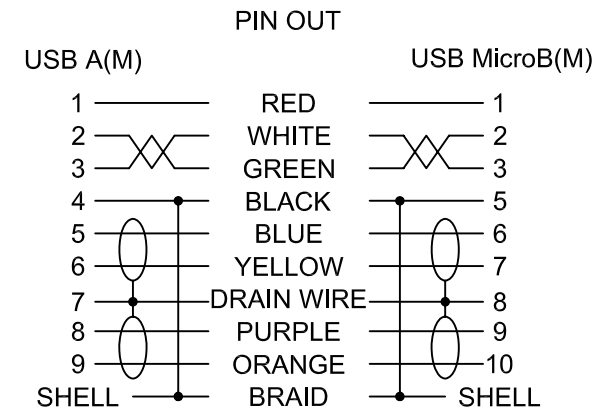


Jargy part no.	Client part no.	Approved	SCALE	UNIT
CBL-D302MBSS-Xm			1 : 1	mm
Drawing Name		Drawn	Date	REV.
USB 3.0 A to Micro-B Cable M/M		<i>Kevin Hsu</i>	2016/06/22	1.0

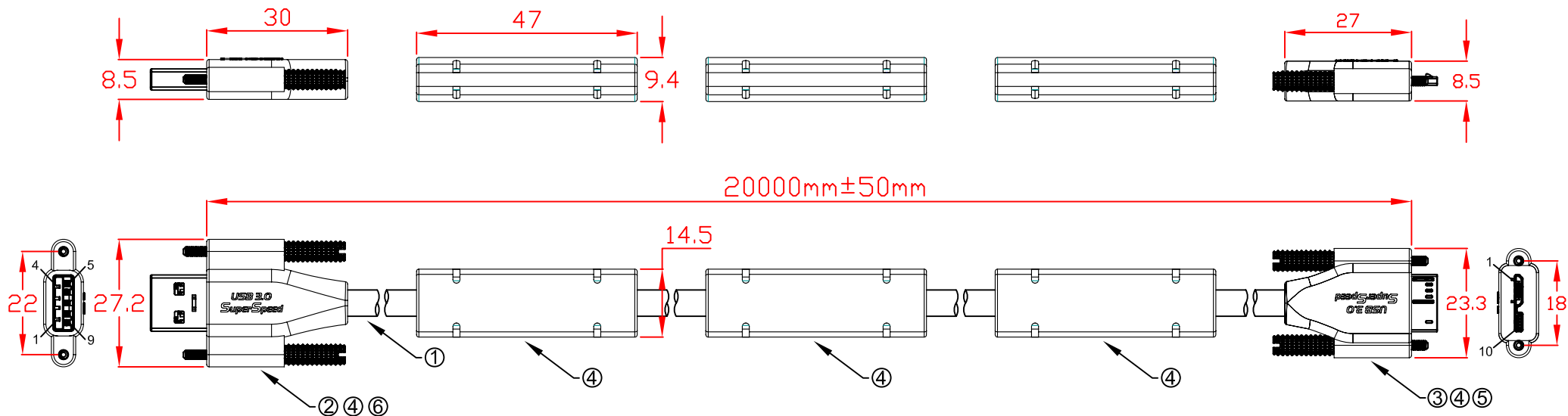


CBL-D302MBSS-15m 15000mm±50mm

No	MATERIALS LIST:
1.	CABLE:UL2725 (28AWG*1PR+D+AM)x2C+28AWG*1PR+24AWG*1C+AM+B OD:5.6mm PVC JACKET COLOR:BLACK
2.	CONNECTOR:USB 3.0 A/M, 9P, BLUE INSULATOR SOLDER TYPE, NICKEL PLATED SHELL
3.	CONNECTOR:USB 3.0 MicroB/M, 10P, BLACK INSULATOR SOLDER TYPE, NICKEL PLATED SHELL
4.	PVC MOLDED HOUSING, BLACK COLOR
5.	SCREW:#4x33 M2
6.	SCREW:#4x34.5 M2

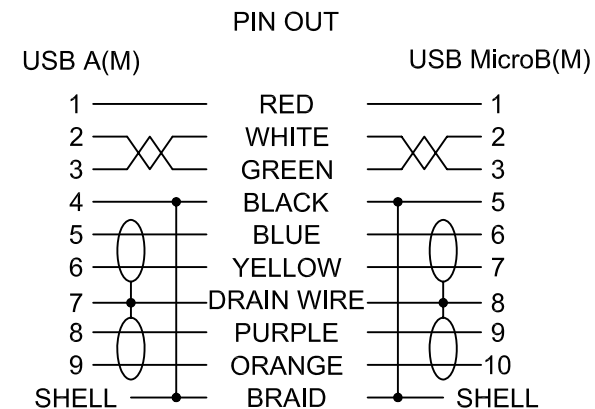


Jargy part no.	Client part no.	Approved	SCALE	UNIT
CBL-D302MBSS-15m			1 : 1	mm
Drawing Name		Drawn	Date	REV.
15m USB 3.0 A to Micro-B Cable M/M		<i>Kevin Hsu</i>	2016/06/22	1.0

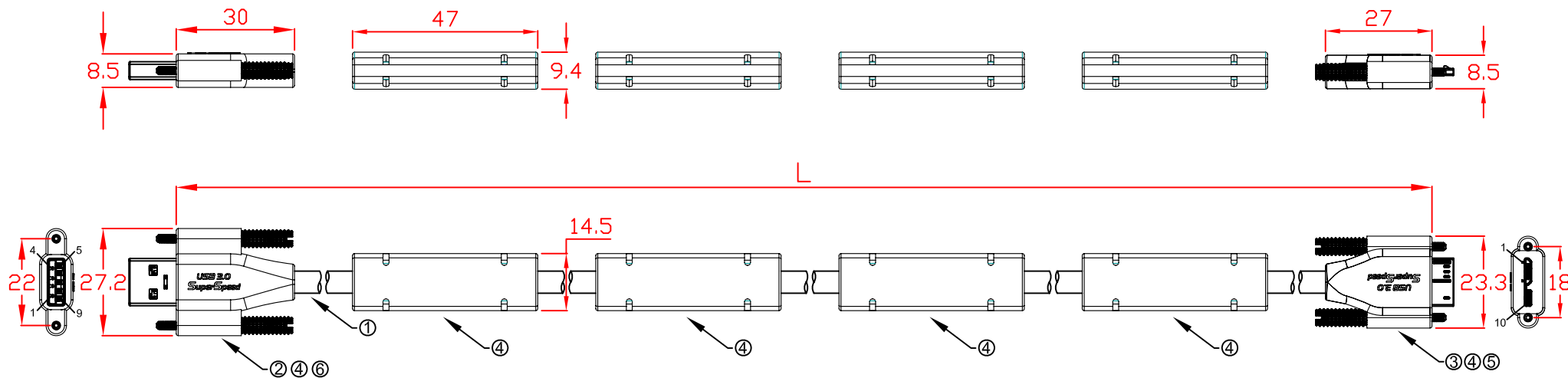


CBL-D302MBSS-20m 20000mm±50mm

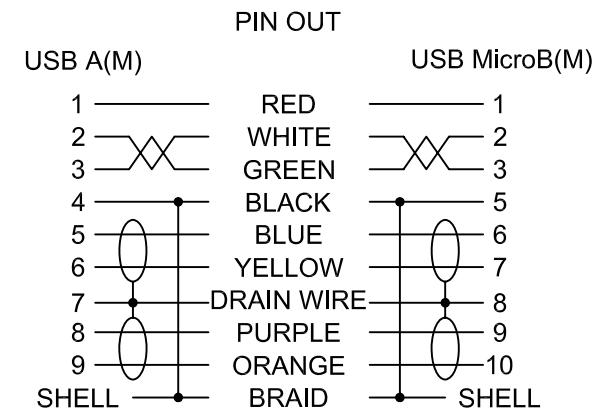
No	MATERIALS LIST:
1.	CABLE:UL2725 (28AWG*1PR+D+AM)x2C+28AWG*1PR+24AWG*1C+AM+B OD:5.6mm PVC JACKET COLOR:BLACK
2.	CONNECTOR:USB 3.0 A/M, 9P, BLUE INSULATOR SOLDER TYPE, NICKEL PLATED SHELL
3.	CONNECTOR:USB 3.0 MicroB/M, 10P, BLACK INSULATOR SOLDER TYPE, NICKEL PLATED SHELL
4.	PVC MOLDED HOUSING, BLACK COLOR
5.	SCREW:#4x33 M2
6.	SCREW:#4x34.5 M2



Jargy part no.	Client part no.	Approved	SCALE	UNIT
CBL-D302MBSS-20m			1 : 2	mm
Drawing Name		Drawn	Date	REV.
20m USB 3.0 A to Micro-B Cable M/M		<i>Kevin Hsu</i>	2016/06/22	1.0

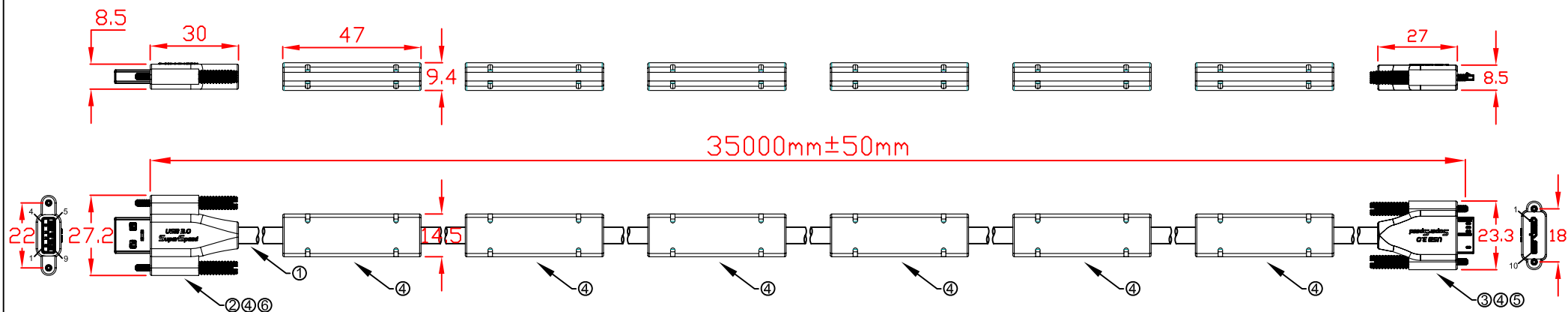


L:
 CBL-D302MBSS-25m 25000mm±50mm
 CBL-D302MBSS-30m 30000mm±50mm



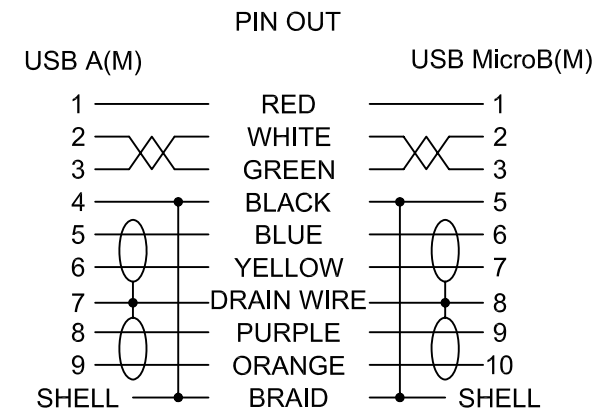
No	MATERIALS LIST:
1.	CABLE:UL2725 (28AWG*1PR+D+AM)x2C+28AWG*1PR+24AWG*1C+AM+B OD:5.6mm PVC JACKET COLOR:BLACK
2.	CONNECTOR:USB 3.0 A/M, 9P, BLUE INSULATOR SOLDER TYPE, NICKEL PLATED SHELL
3.	CONNECTOR:USB 3.0 MicroB/M, 10P, BLACK INSULATOR SOLDER TYPE, NICKEL PLATED SHELL
4.	PVC MOLDED HOUSING, BLACK COLOR
5.	SCREW:#4x33 M2
6.	SCREW:#4x34.5 M2

Jargy part no.	Client part no.	Approved	SCALE	UNIT
CBL-D302MBSS-Xm			1 : 2	mm
Drawing Name		Drawn	Date	REV.
USB 3.0 A to Micro-B Cable M/M		<i>Kevin Hsu</i>	2016/06/22	1.0

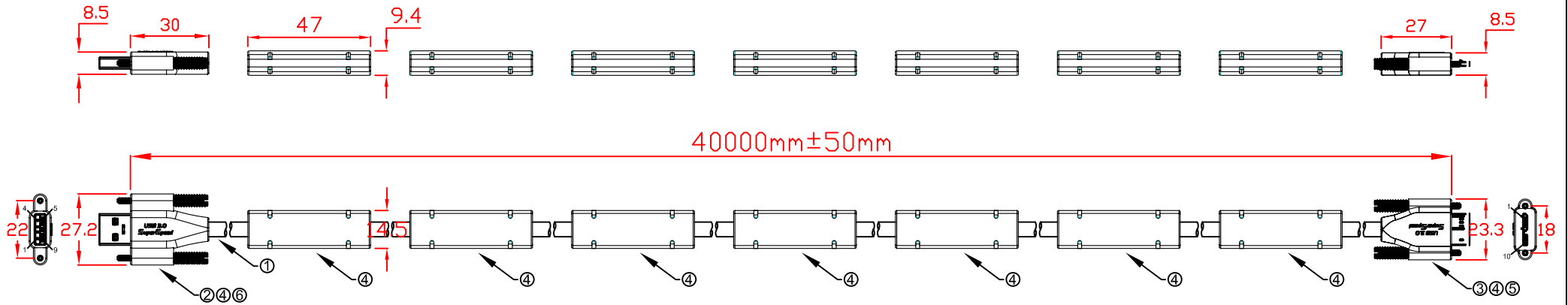


CBL-D302MBSS-35m 35000mm±50mm

No	MATERIALS LIST:
1.	CABLE:UL2725 (28AWG*1PR+D+AM)x2C+28AWG*1PR+24AWG*1C+AM+B OD:5.6mm PVC JACKET COLOR:BLACK
2.	CONNECTOR:USB 3.0 A/M, 9P, BLUE INSULATOR SOLDER TYPE, NICKEL PLATED SHELL
3.	CONNECTOR:USB 3.0 MicroB/M, 10P, BLACK INSULATOR SOLDER TYPE, NICKEL PLATED SHELL
4.	PVC MOLDED HOUSING, BLACK COLOR
5.	SCREW:#4x33 M2
6.	SCREW:#4x34.5 M2

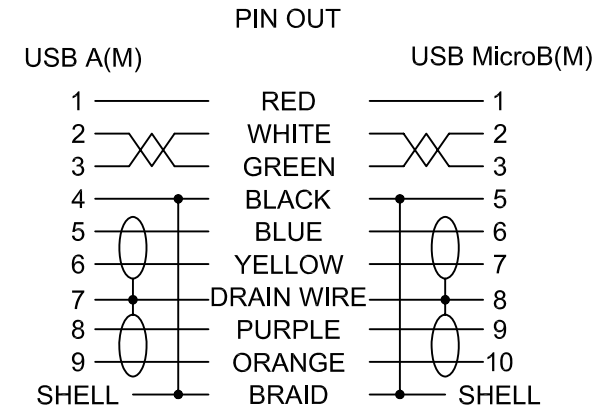


Jargy part no.	Client part no.	Approved	SCALE	UNIT
CBL-D302MBSS-35m			1 : 2	mm
Drawing Name		Drawn	Date	REV.
35m USB 3.0 A to Micro-B Cable M/M		<i>Kevin Hsu</i>	2016/06/22	1.0

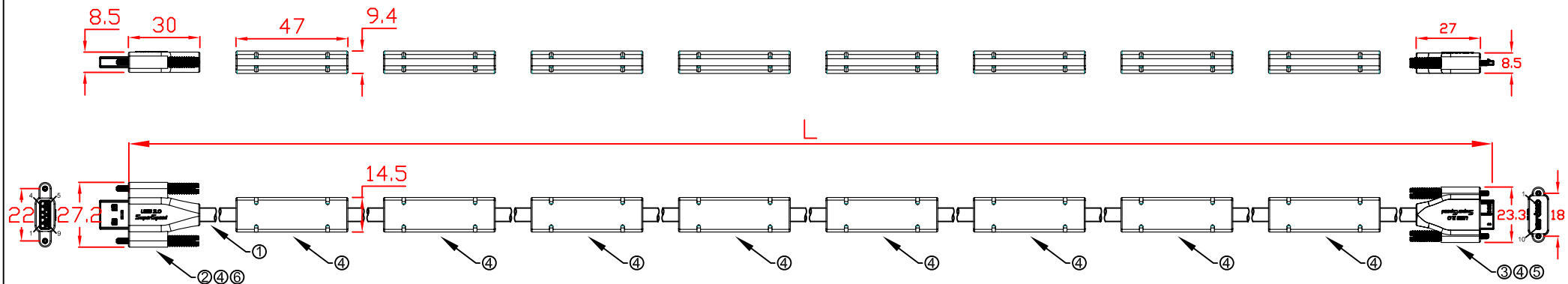


CBL-D302MBSS-40m 40000mm±50mm

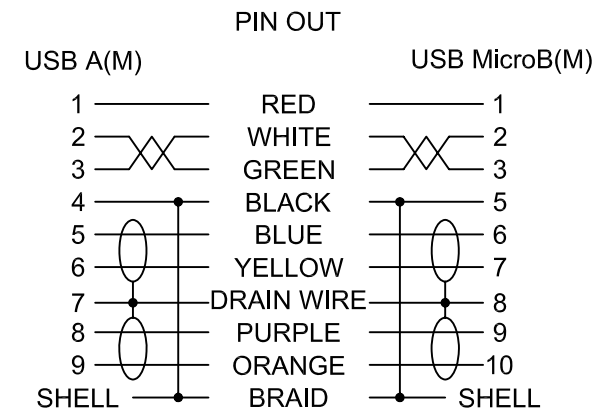
No	MATERIALS LIST:
1.	CABLE:UL2725 (28AWG*1PR+D+AM)x2C+28AWG*1PR+24AWG*1C+AM+B OD:5.6mm PVC JACKET COLOR:BLACK
2.	CONNECTOR:USB 3.0 A/M, 9P, BLUE INSULATOR SOLDER TYPE, NICKEL PLATED SHELL
3.	CONNECTOR:USB 3.0 MicroB/M, 10P, BLACK INSULATOR SOLDER TYPE, NICKEL PLATED SHELL
4.	PVC MOLDED HOUSING, BLACK COLOR
5.	SCREW:#4x33 M2
6.	SCREW:#4x34.5 M2



Jargy part no.	Client part no.	Approved	SCALE	UNIT
CBL-D302MBSS-40m			1 : 2	mm
Drawing Name		Drawn	Date	REV.
40m USB 3.0 A to Micro-B Cable M/M		<i>Kevin Hsu</i>	2016/06/22	1.0



L:
 CBL-D302MBSS-45m 45000mm±50mm
 CBL-D302MBSS-50m 50000mm±50mm



No	MATERIALS LIST:
1.	CABLE:UL2725 (28AWG*1PR+D+AM)x2C+28AWG*1PR+24AWG*1C+AM+B OD:5.6mm PVC JACKET COLOR:BLACK
2.	CONNECTOR:USB 3.0 A/M, 9P, BLUE INSULATOR SOLDER TYPE, NICKEL PLATED SHELL
3.	CONNECTOR:USB 3.0 MicroB/M, 10P, BLACK INSULATOR SOLDER TYPE, NICKEL PLATED SHELL
4.	PVC MOLDED HOUSING, BLACK COLOR
5.	SCREW:#4x33 M2
6.	SCREW:#4x34.5 M2

Jargy part no.	Client part no.	Approved	SCALE	UNIT
CBL-D302MBSS-Xm			1 : 2	mm
Drawing Name		Drawn	Date	REV.
USB 3.0 A to Micro-B Cable M/M		<i>Kevin Hsu</i>	2016/06/22	1.0